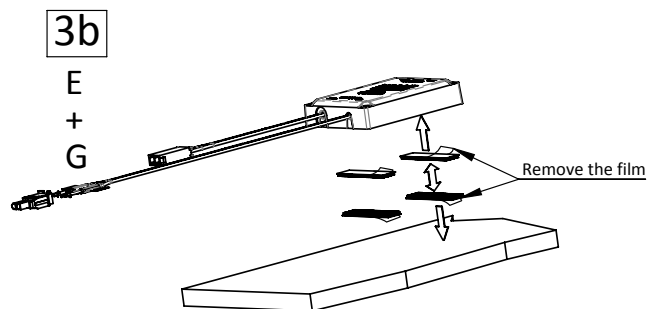
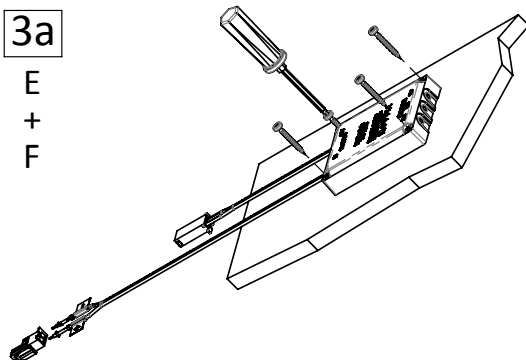
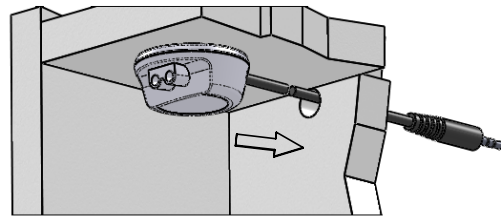
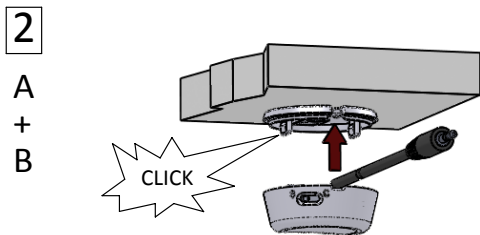
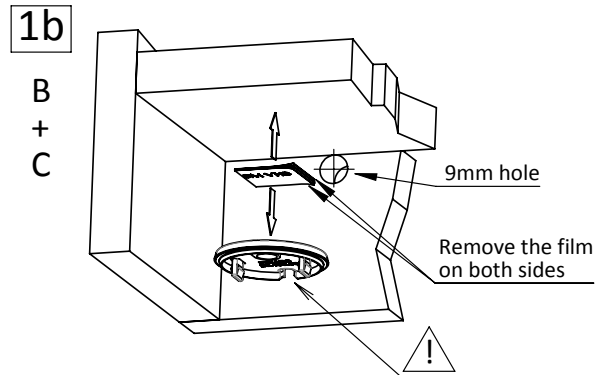
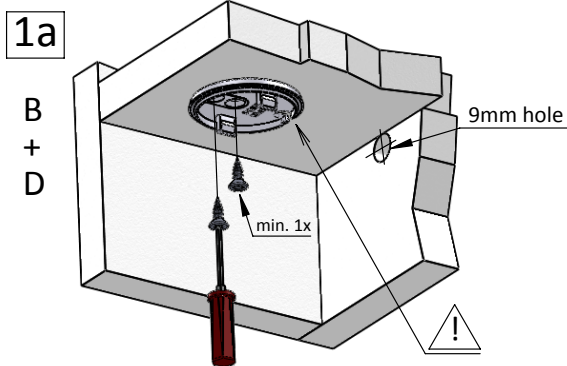
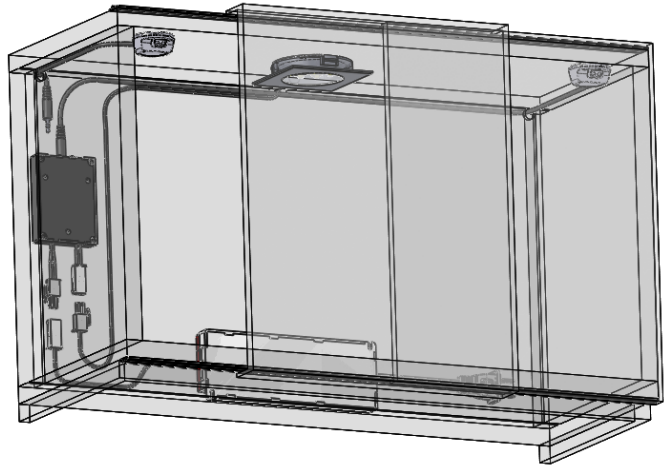
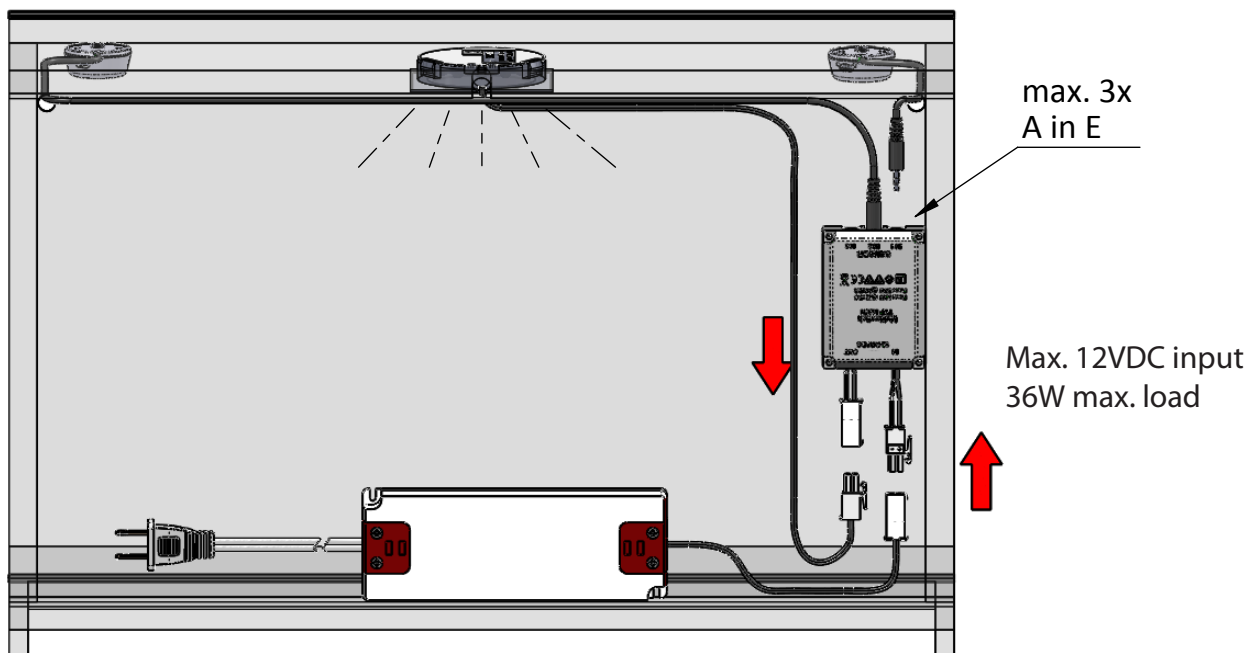


SUMMARY



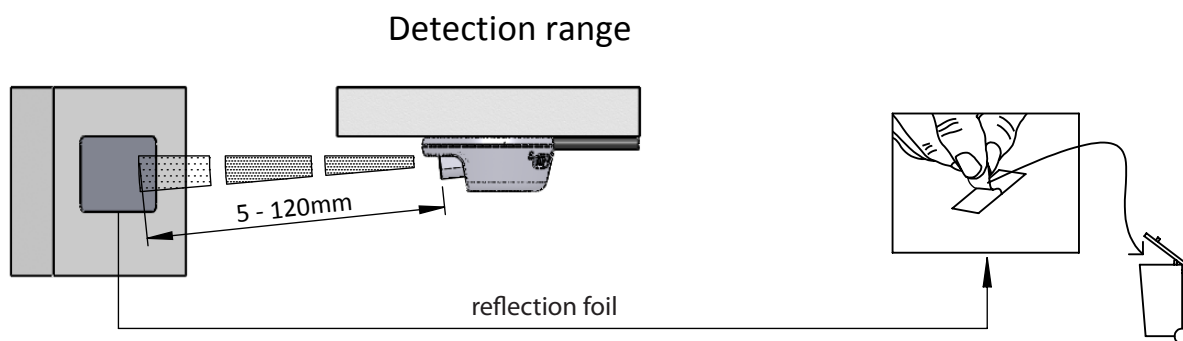
4

A + E

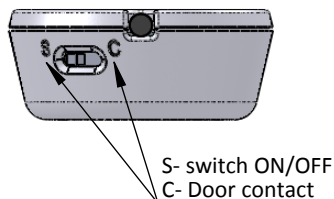


5

A + H



Function description



! Before assembly, make sure that all IR sensors have the same switch setting "S" or "C". The lighting is switched on when operating voltage is applied to "Multi-Switch control unit"; the unit then installs automatically for 30 seconds and is subsequently ready for operation. Disconnect control unit from power supply, before switching to another setting "S" or "C". 1-3 IR sensors with the same operating mode can be installed.

C - door contact switch setting:

The lighting switches on if reflection is removed from one of the IR sensors (e.g. door open). The control unit shuts down unless reflection is restored within approx. 3 minutes. If reflection is identified (e.g. door closed), the units shuts down again after a delay of 2 seconds.

S - switch setting (hand switch):

If reflection is applied to one of the IR sensors connected (e.g. wiping by hand in a distance of 5-50mm), the units switches on immediately. In the event of renewed reflections one of the IR sensors connected, the unit shuts soft OFF or soft ON.